

Haybuster 107 C No-till Seed Drill Calibration Guide

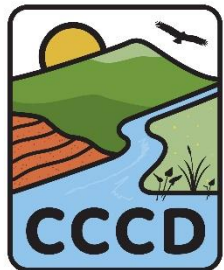


About this manual...

Acknowledgements: This manual is made possible by the University of Vermont Center for Sustainable Agriculture, the White River Natural Resources Conservation District, the Connecticut River Watershed Farmers Alliance, the University of New Hampshire Cooperative Extension, and the Cheshire County Conservation District.

This manual is based on the video produced by Carl Majewski of University of New Hampshire Cooperative Extension and the Cheshire County Natural Resources Conservation District.

<https://www.youtube.com/watch?v=3IJUvHLDaDE&feature=youtu.be>



CHESHIRE COUNTY
CONSERVATION DISTRICT



Extension



White River
Natural
Resources
Conservation
District



THE UNIVERSITY OF VERMONT
EXTENSION



Welcome to the Haybuster 107c No-Till Drill Calibration Guide

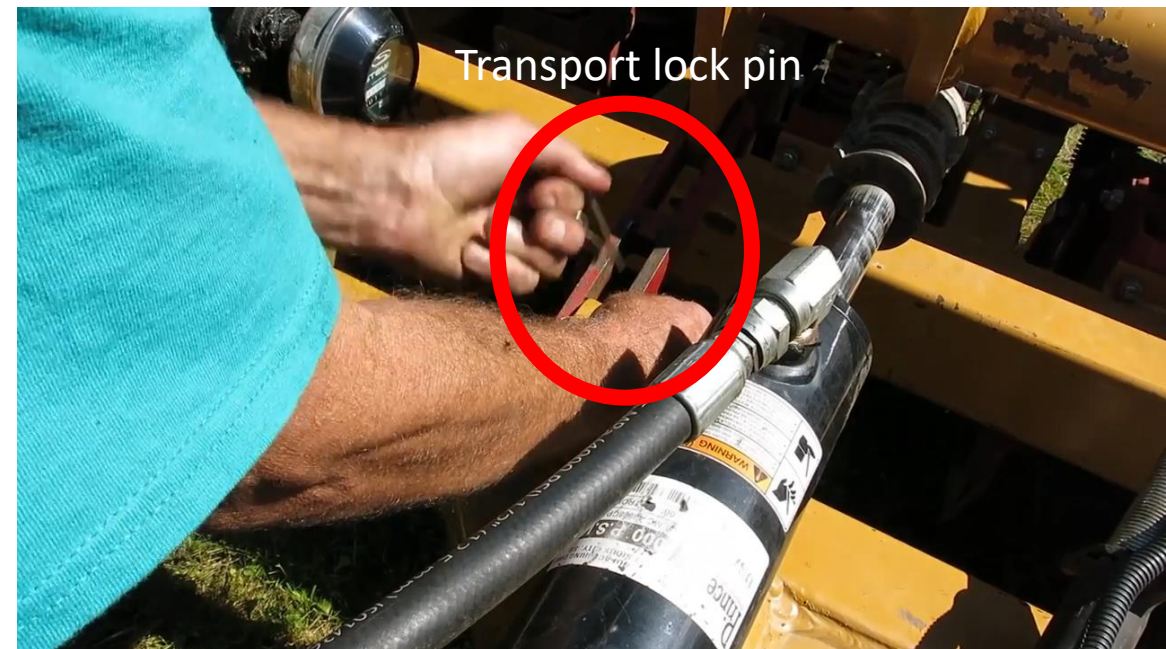
- This guide is intended for renters of the White River NRCD No-Till Haybuster 107c No-Till Drill seeder.
- This guide is intended for those who have already reviewed the Connecticut River Watershed Farmers Alliance (CRWFA) website and No-Till drill information page, <https://www.crwfa.org/no-till-drill/>
- This guide includes
 - Calibration
 - Operation
 - Maintenance
- For more detailed instructions, please refer to the manufactures operator manual.
- Disclaimer: This guide is not intended to replace the operators manual or the verbal or written instructions of the equipment's maintenance technicians. The renter is bound by the rental contract and assumes all liability for any damage to the equipment.





Transport mode to field mode:

The drill features hydraulics that lift and lower the unit in the field.



Once the two hydraulic lines are hooked up, lift the unit to relieve tension and remove the transport lock pin in order to lower the drill and put it in field mode.



Questions? Call or email Steve Stocking at 802-333-4840 or birchmeadowfarm@gmail.com

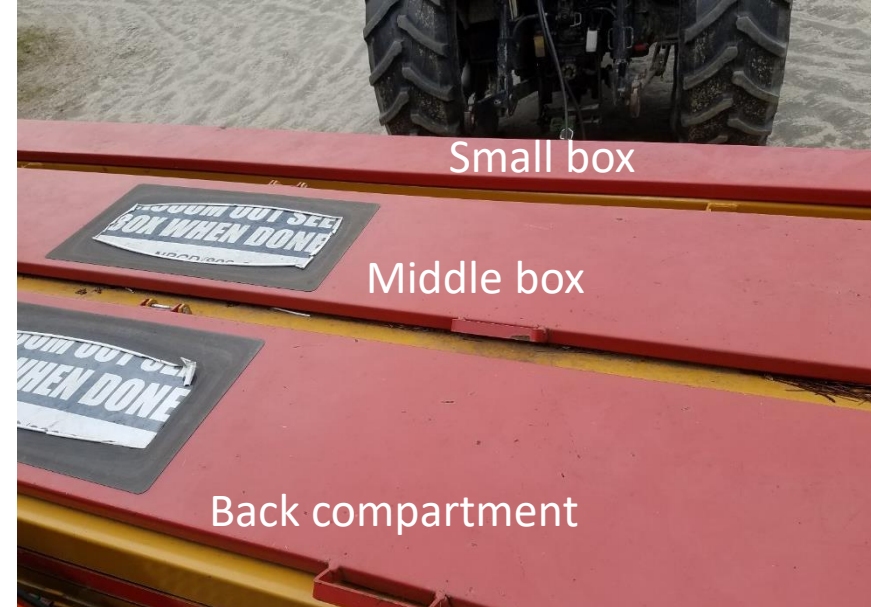
Calibration:

Place seed in the appropriate seed box.

The drill features three seed boxes: the front compartment is for small-seeded legume crops like clovers or alfalfa.

The middle compartment is for larger-seeded crops like small grains, sorghum, or soybeans.

The back compartment is for bulkier grasses, or for seed mixes.



Calibration:

You regulate the seed output for the **two larger seed boxes** (small grain seed and grass seed boxes) by opening or closing a gate at the bottom.

Turn the handle on the side to the recommended setting. Each box has its own handle.

For the **small seed box**, loosen the nut that keeps the adjustment lever in place. Move the lever to the desired setting, and tighten the nut to hold it there.



Calibration

With seed in the appropriate seed box(es), remove one hose from each seed box and attach a container (cloth or plastic bag) to collect seed.

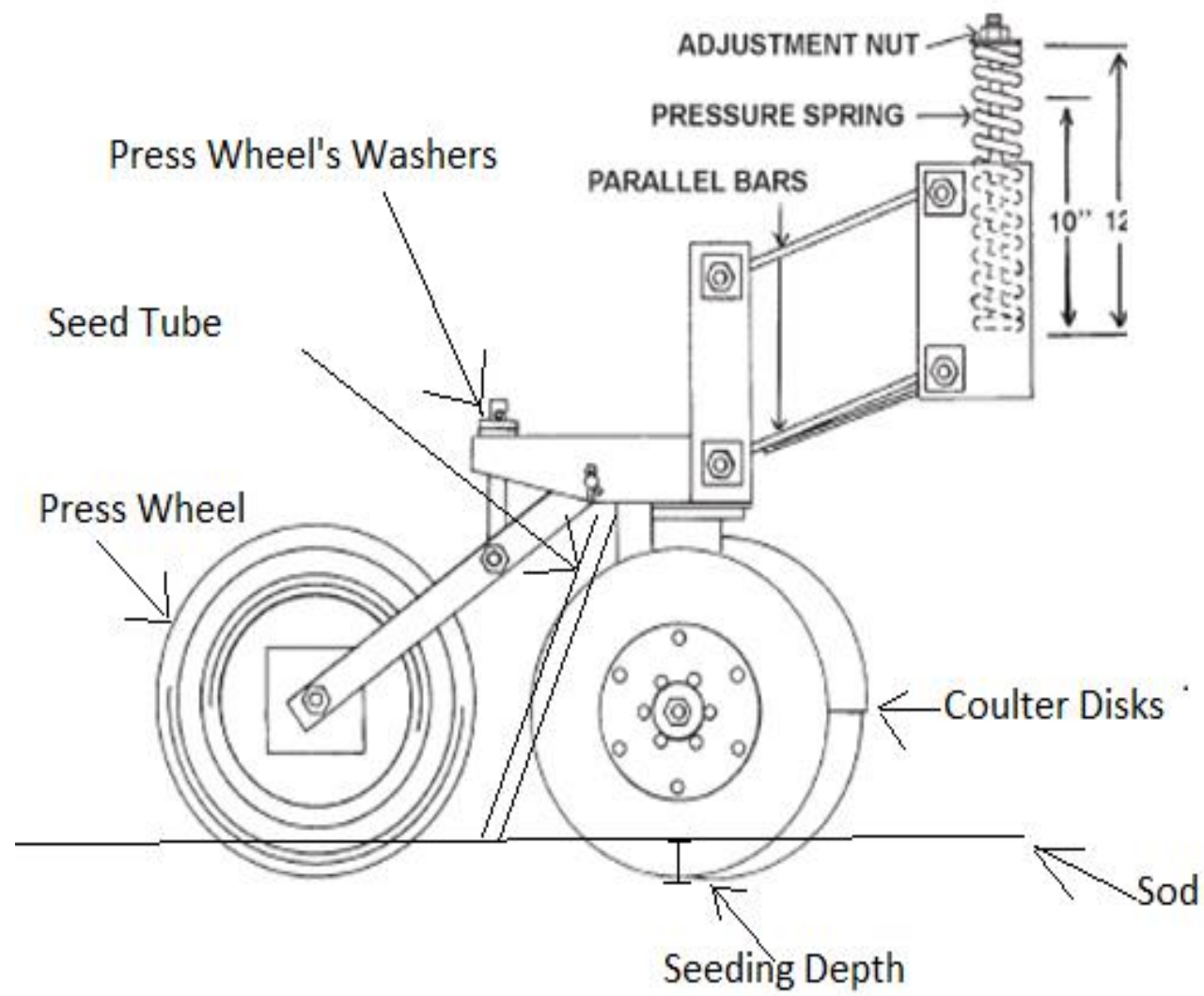
Turn seeder drive wheel at a steady, brisk rate and counting 79 full rotations. Collect seed in the attached bag(s).

Weigh the amount in ounces and multiply by 11.25 to get your pounds of seed per acre.

Seed in ozs. x 11.25 = #s/acre.



Operation



Questions? Call or email Steve Stocking at 802-333-4840 or birchmeadowfarm@gmail.com

Operation:

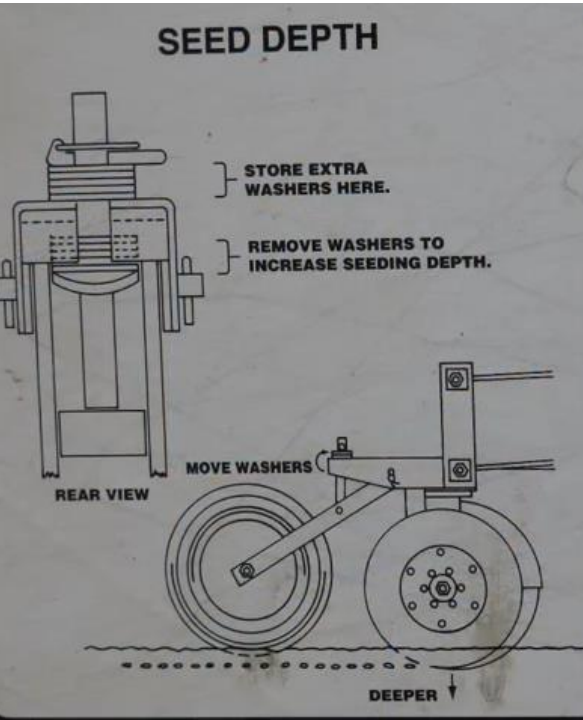
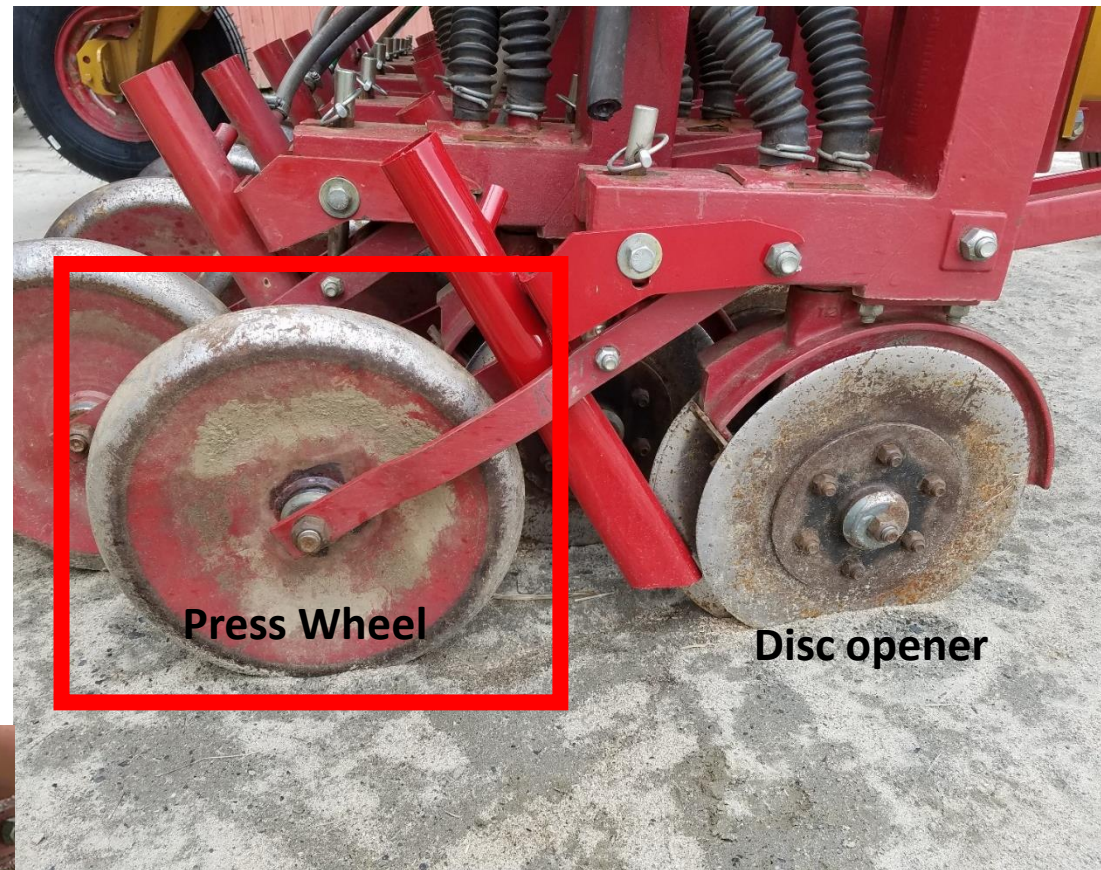
Once you have calibrated your seeding rate, it is time to adjust the drill to the appropriate seed depth. Plant a few feet and check the depth of the trench with a ruler.



Operation:

First possible furrow and seed depth adjustment:

Press wheels firm the soil in the furrow, and they serve as a gauge for the disc openers: raising the press wheels will give you a deeper furrow; lower them if the seed is placed too deep.

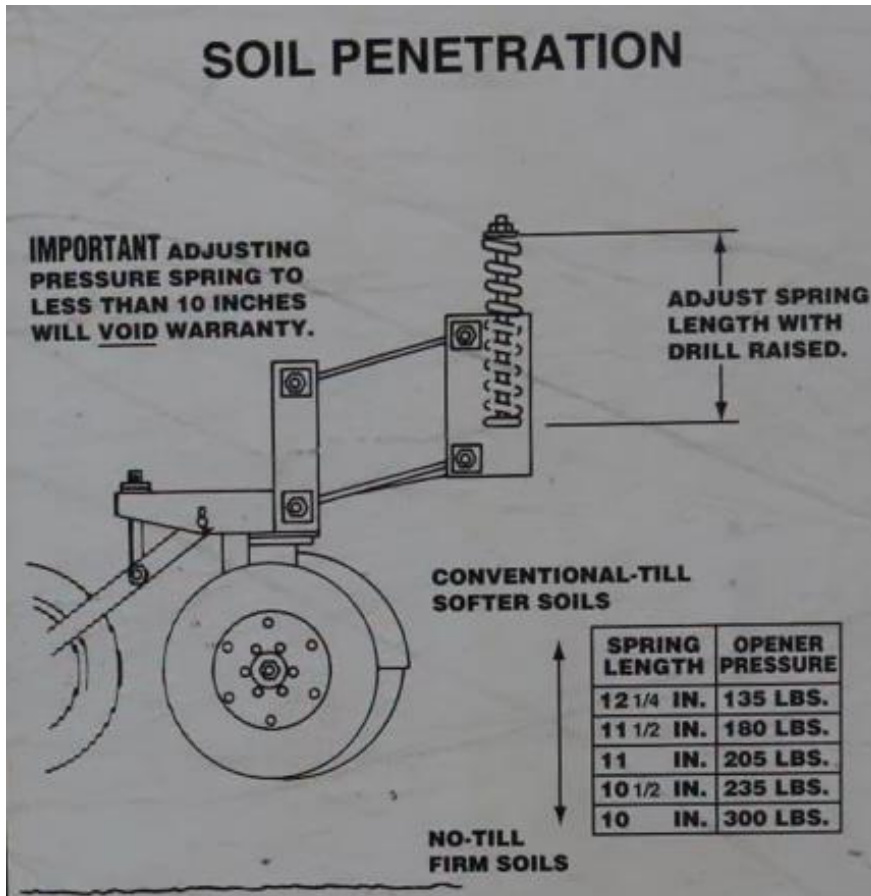


Raise the press wheels by moving washers from the bottom of the pin to the top; to lower them, move washers from top to bottom. Repeat for all press wheels.

Operation:

Second possible furrow and seed depth adjustment:

Tighten or loosen the nuts at the top of the springs on each of the disc openers to increase or decrease tension.



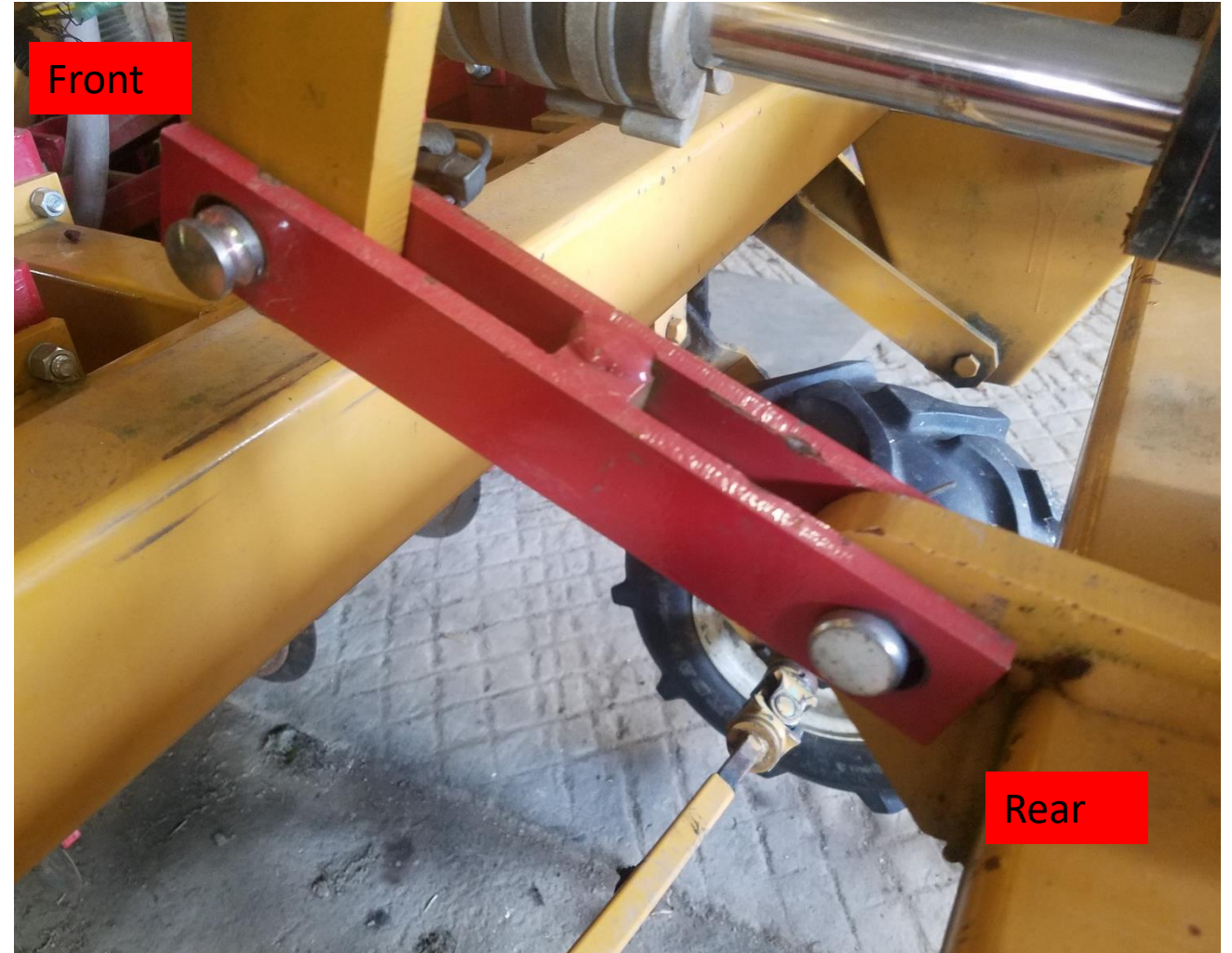
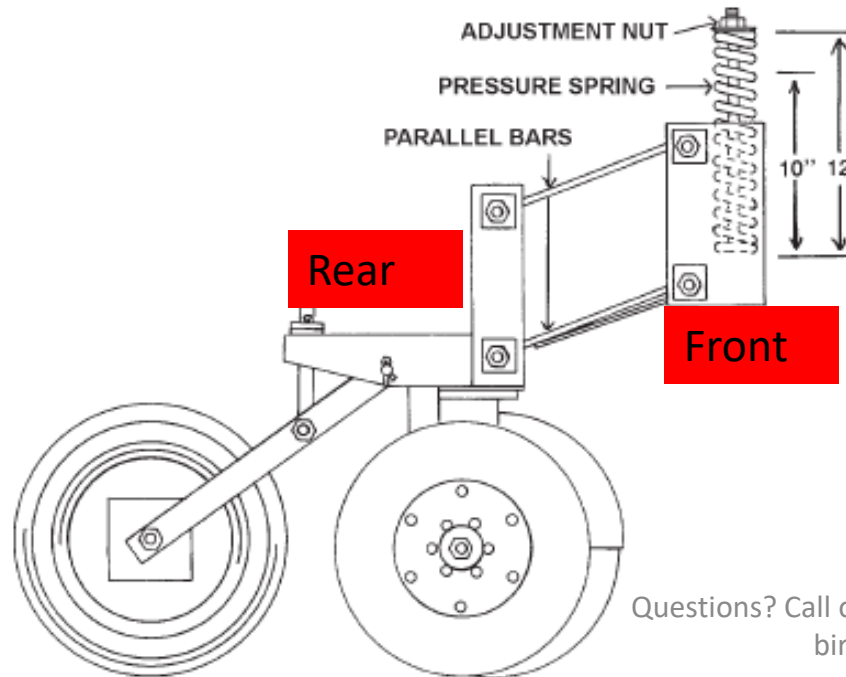
Operation:

The springs should be compressed between 10 – 12 inches in length; do not tighten the nuts to compress the spring to less than 10 inches in length in order to avoid excessive tension that will damage the openers.



Operation:

When the drill is properly adjusted, the parallel bars should be level with the ground surface, or slightly higher towards the front of the drill; they should not be higher in the rear. Drive a short distance with the drill lowered and check the depth of the furrow.



Operation:

CAUTION: When operating the drill, making sharp turns while the unit is lowered will damage the disc openers.

Instead, drive in straight rows, lifting the unit up when you reach the end of each row, and lowering it down only after you have completed the turn.

Do not back up with the unit lowered, as it can cause extensive damage.



Maintenance:

Clean out the drill thoroughly after using it. Empty the seed boxes by pulling on the cleanout lever on the side, which opens up the boxes completely. Then, vacuum the boxes clean. Remove the tubes from the small seed box and either vacuum them clean or blow them out with an air compressor in order to keep them from getting plugged up.



Photos of clogged seed tubes and seed box openings.

Questions? Call or email Steve Stocking at 802-333-4840 or birchmeadowfarm@gmail.com

Maintenance:

Check the disc openers and the bottoms of the seed tubes to see if they have become plugged – clean them out if necessary.



Check all the grease fittings on the unit, and grease if necessary.



Questions? Call or email Steve Stocking at 802-333-4840 or birchmeadowfarm@gmail.com

Field mode to transport mode:

Before leaving the field, replace the transport lock and pin by raising the unit and to put it back into transport mode. Remove the hydraulic lines from the tractor and then it is road ready.



If you have any questions

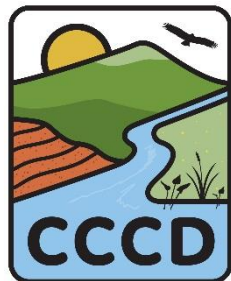
Contact

Name: Steve Stocking

Org: Connecticut River Watershed Farmers Alliance

Phone: 802-333-4840

Email: birchmeadowfarm@gmail.com



CHESHIRE COUNTY
CONSERVATION DISTRICT



Extension



White River
Natural
Resources
Conservation
District



THE UNIVERSITY OF VERMONT
EXTENSION

